

SAND CLASSIFIER - OMEGA CSB series

Leader in the design and the manufacturing of sludge treatment systems for drinking water, waste water and sludge, EMO is present in 5 continents of the globe and holds more than 2500 recommendations to its credit since the company's creation in 1985.

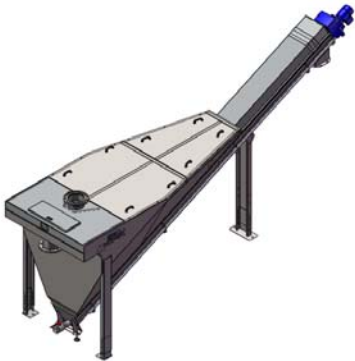
The sand classifier OMEGA CSB is a highly efficient dewatering device to separate the sand from raw effluent in the municipal sewage treatment plant or industrial WWTP.

The sand classifier OMEGA CSB is ingenious tailor-made and effective equipment for trapping and settling sand particles and conveying them well dewatered.



The OMEGA CSB sand classifier can handle flows up to 125 m³/h and guarantee separation from 200 microns with one capture rate of 95%.

Technical data



The OMEGA CSB classifier combines a very compact unit with an excellent sand capture rate, keeping in mind the following key features:

- ✓ Frame in stainless steel 304L (SS 316 as an option)
- ✓ Simple helix, endshaft spiral
- ✓ Inclination 25°
- ✓ Removable trough cover
- ✓ Inspection window
- ✓ Integrated draining valve
- ✓ Connecting on flange
- ✓ Washing spraybar with electrovalve (as an option)

Installations



Outdoor installation

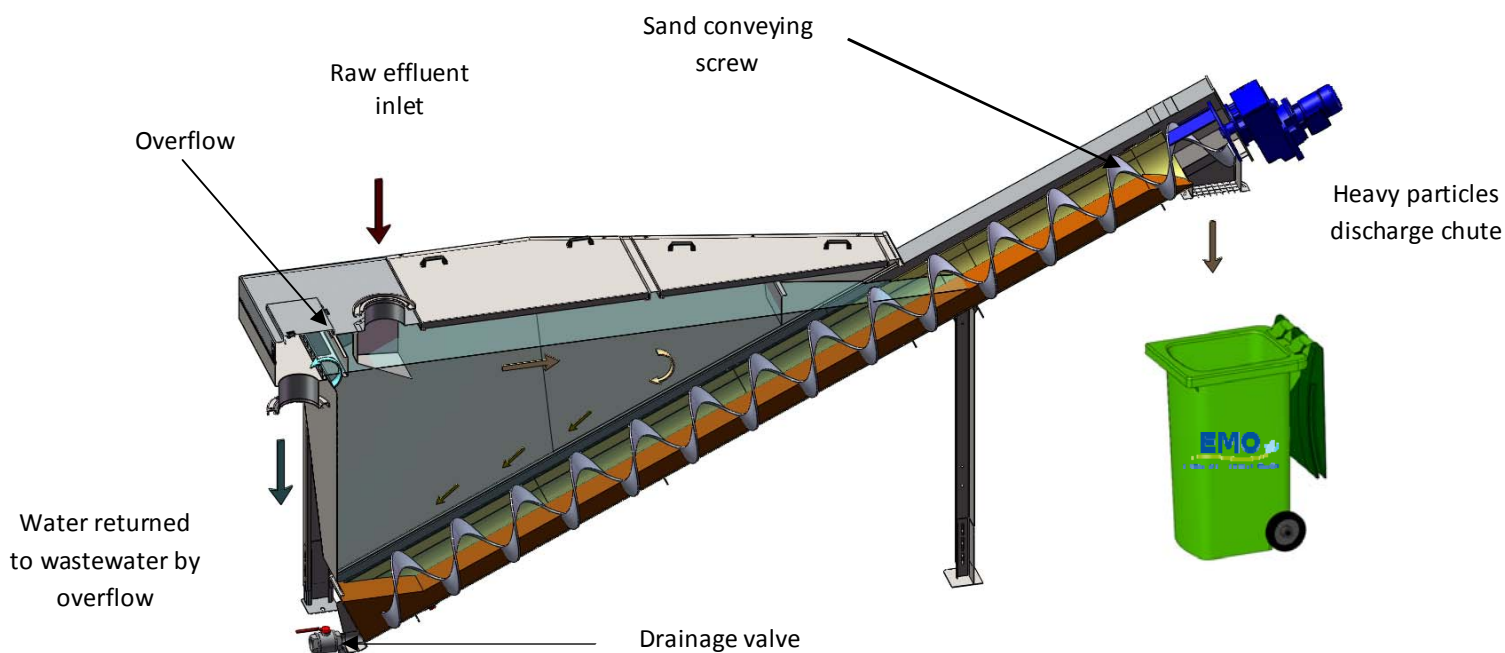


Indoor installation

Operating principle

A mixture of sand and water is fed through one integrated flange. The mixture then flows down. Solids sink down to the lower section of the classifier whereas light organic matter is carried with the water and returned to the wastewater by overflow.

Heavy particles are picked up by one especially designed EMO screw conveyor. This inclined SCV screw conveyor removes particles slowly right to the discharge chute and thus drained by gravity. Classified sand then drops from the screw conveyor into one garbage container.



Selection tables

Model	CSB 020	CSB 050	CSB 075	CSB 100
Flowrate m ³ /h	0 to 20	20 to 50	50 to 75	75 to 100
Area m ²	1	2	3	3.7
Volume m ³	0.345	0.940	1.530	2.270
Ø inlet	80	125	150	200
Ø outlet	100	150	200	200
Length A	2599	3319	3957	4920
Height B	1235	1572	1833	2177
Width C	854	1104	1404	1554
Height D	862	1247	1411	1605

** over 100 m³/h, sized and quoted upon request.

